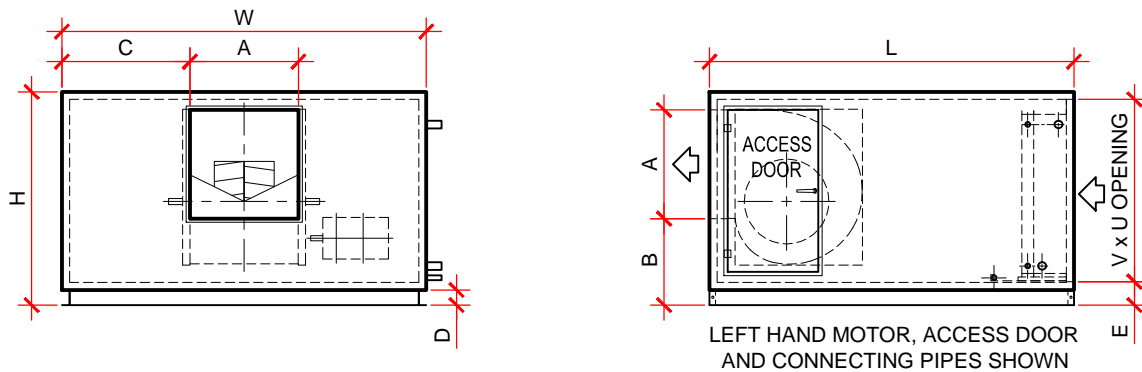


SA DOUBLE SKIN AIRHANDLING UNITS HORIZONTAL DISCHARGE - F1 SCROLL TO TOP



MODEL	L	W	H	U	V	A	B	C	D	E	FAN
SA-048H	1200	1200	725	880	550	260	353	470	75	130	200
SA-096 H	1200	1200	825	880	650	326	377	437	75	130	250
SA-140H	1200	1200	1025	880	850	408	414	396	75	130	315
SA-210H	1500	1800	1125	1480	950	510	468	645	75	130	400
SA-290H	1800	1800	1225	1480	1050	572	497	614	75	130	450
SA-410H	1800	2400	1325	2080	1150	642	518	879	75	130	500
SA-480H	2400	2400	1500	2080	1300	718	647	841	100	155	560
SA-660H	2400	3000	1800	2680	1600	902	735	1049	100	155	710
SA-820H	2400	3600	1950	3280	1750	1010	793	1295	100	155	800
SA-1050H	2400	3600	2150	3280	1950	1134	874	1233	100	155	900
SA-1290H	3000	3600	2375	3280	2150	1270	965	1165	125	180	1000
SA-1520H	3000	3600	2575	3280	2350	1270	965	1165	125	180	1000
SA-1850H	3600	4200	2625	3880	2400	1422	1057	1389	125	180	1120
SA-2080H	3600	4200	2925	3880	2700	1528	1207	1336	125	180	1250

Notes:

The fan outlet dimensions are for the biggest size of fan that a model can accommodate. In the majority of cases a smaller fan meets the specified requirements, in which case the dimensions may change.

Access doors are 600mm wide (or 500mm where there are size restraints) and either 1500mm high or 1200mm high, otherwise as close to the unit height as possible for AHUs lower than 1200mm high.

Materials and specifications may change without notice.